



Product designation				Power contactor
Product type designation				BFK26
Contact characteristics				
Number of poles	Nr.			3
Rated insulation voltage U_i IEC/EN	V			690
Rated impulse withstand voltage U_{imp}	kV			6
Operational frequency	min	Hz		25
	max	Hz		400
IEC Conventional free air thermal current I_{th}	A			45
Rated operational power AC-6b (T=40°C)	230V	kvar		11
	400V	kvar		20
	440...480V	kvar		22
	690V	kvar		25
Short-time allowable current for 10s (IEC/EN60947-1)	A			210
Protection fuse				
	gG (IEC)	A		40
Making capacity (RMS value)	A			260
Breaking capacity at voltage	440V	A		208
	500V	A		184
	690V	A		168
Resistance per pole (average value)	m Ω			2
Power dissipation per pole (average value)				
	I_{th}	W		4
Tightening torque for terminals	min	Nm		2.5
	max	Nm		3
	min	lbin		1.8
	max	lbin		2.2
Tightening torque for coil terminal	min	Nm		0.8
	max	Nm		1
	min	lbin		0.59
	max	lbin		0.74
Max number of wires simultaneously connectable	Nr.			2
Conductor section	AWG/Kcmil			
	max			6
Flexible w/o lug conductor section	min	mm ²		2.5
	max	mm ²		16
Flexible c/w lug conductor section	min	mm ²		1

		max	mm ²	10	
Flexible with insulated spade lug conductor section					
		min	mm ²	1	
		max	mm ²	10	
Power terminal protection according to IEC/EN 60529				IP20 when wired	
Mechanical features					
Operating position					
		normal allowable		Vertical plan ±30°	
Fixing				Screw / DIN rail 35mm	
Weight			g	400	
Conductor section					
AWG/kcmil conductor section					
		max		6	
Operations					
Mechanical life			cycles	20000000	
Electrical life			cycles	1600000	
Safety related data					
Performance level B10d according to EN/ISO 13489-1					
		rated load mechanical load	cycles cycles	400000 20000000	
EMC compatibility				yes	
AC coil operating					
Rated AC voltage at 50/60Hz			V	230	
AC operating voltage					
of 50/60Hz coil powered at 50Hz					
		pick-up			
		min	%Us	80	
		max	%Us	110	
		drop-out			
		min	%Us	20	
		max	%Us	55	
of 50/60Hz coil powered at 60Hz					
		pick-up			
		min	%Us	85	
		max	%Us	110	
		drop-out			
		min	%Us	20	
		max	%Us	55	
AC average coil consumption at 20°C					
of 50/60Hz coil powered at 50Hz					
		in-rush	VA	75	
		holding	VA	9	
of 50/60Hz coil powered at 60Hz					
		in-rush	VA	70	
		holding	VA	7	
of 60Hz coil powered at 60Hz					
		in-rush	VA	75	
		holding	VA	9	
Dissipation at holding =20°C 50Hz				W	2.5
Max cycles frequency					
Mechanical operation				cycles/h	3600
Operating times					

Average time for Us control
in AC

Closing NO	min	ms	8
	max	ms	24
Opening NO	min	ms	5
	max	ms	15
Closing NC	min	ms	9
	max	ms	20

UL technical data

General USE

Contactor

AC current A 45

Ambient conditions

Temperature

Operating temperature

min	°C	-50
max	°C	70

Storage temperature

min	°C	-60
max	°C	80

Max altitude

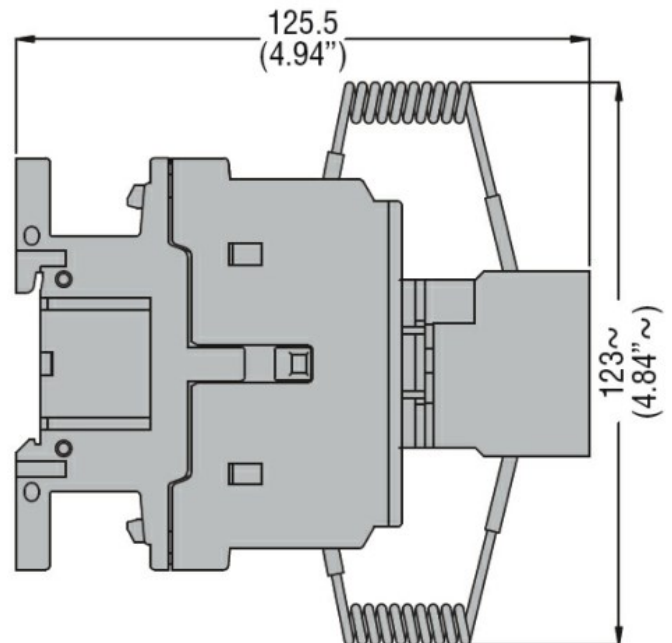
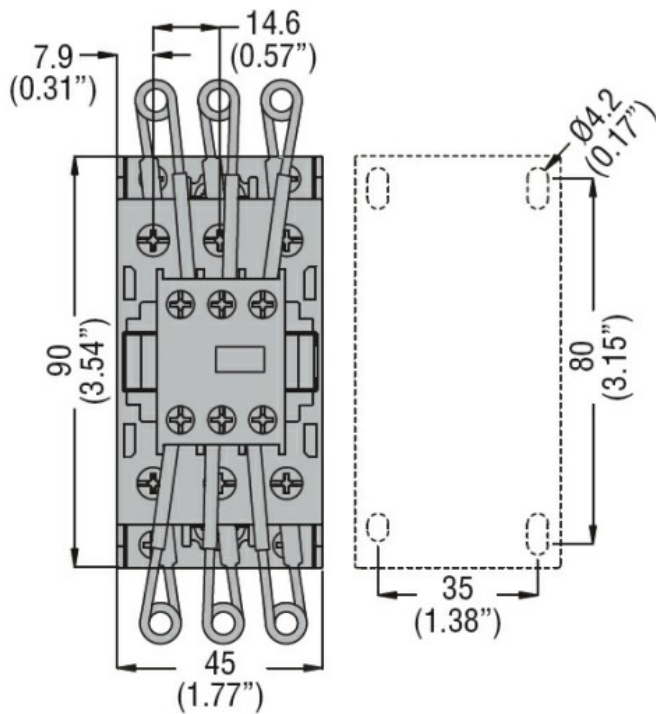
m 3000

Resistance & Protection

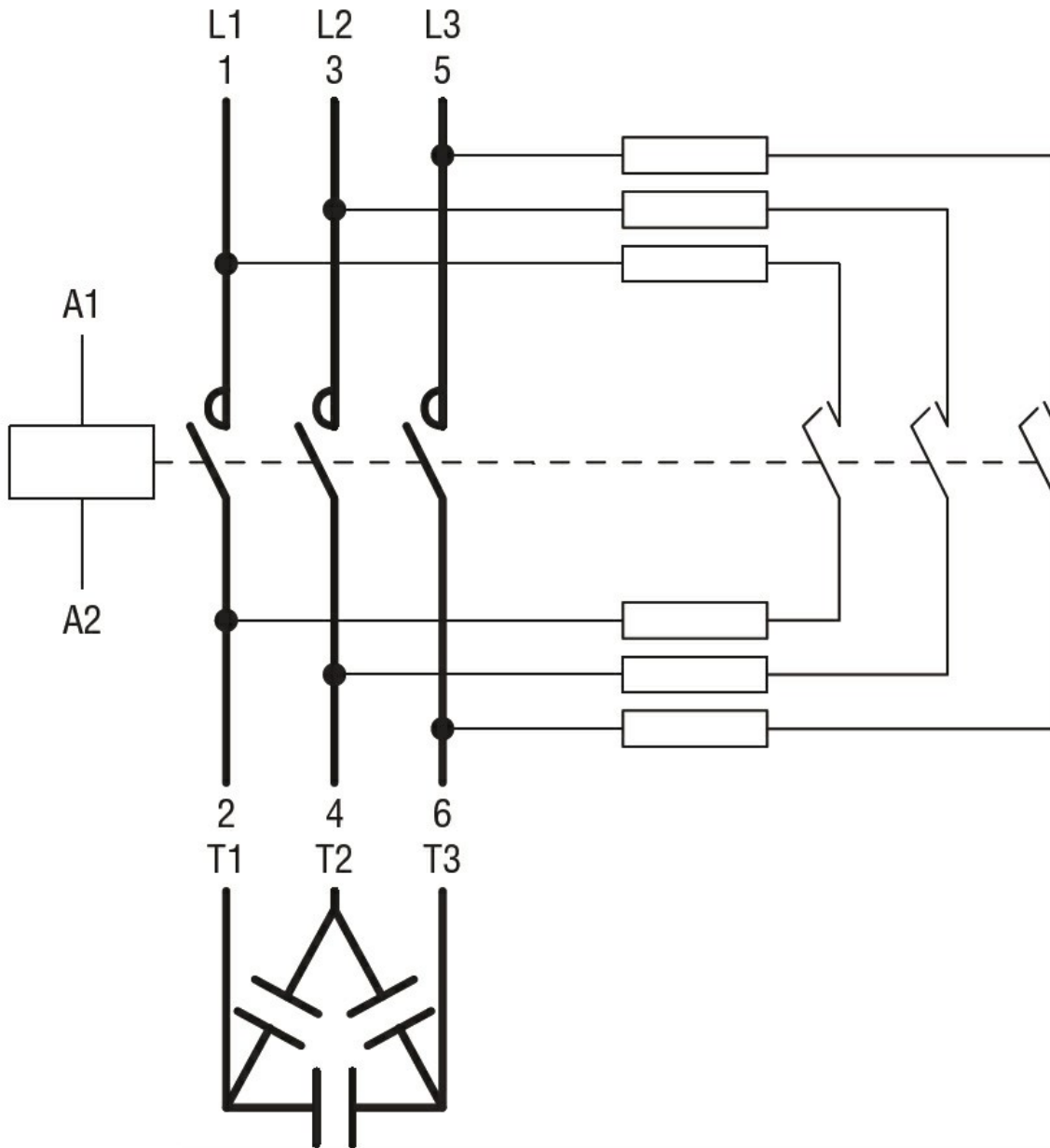
Pollution degree

3

Dimensions



Wiring diagrams



Certifications and compliance

Compliance

CSA C22.2 n° 60947-1

CSA C22.2 n° 60947-4-1

IEC/EN/BS 60947-1

IEC/EN/BS 60947-4-1

UL 60947-1

UL 60947-4-1

Certificates

CCC

cULus

EAC

ETIM classification

ETIM 8.0

EC001079 -
Capacitor
contactor